

# PF2i | PF4i

## Mid-Range Printer



## Spare Parts Catalog

Intermec Technologies Corporation

Worldwide Headquarters

6001 36th Ave.W.

Everett, WA 98203

U.S.A.

[www.intermec.com](http://www.intermec.com)

The information contained herein is provided solely for the purpose of allowing customers to operate and service Intermec-manufactured equipment and is not to be released, reproduced, or used for any other purpose without written permission of Intermec Technologies Corporation.

Information and specifications contained in this document are subject to change without prior notice and do not represent a commitment on the part of Intermec Technologies Corporation.

© 2011 by Intermec Technologies Corporation. All rights reserved.

The word Intermec, the Intermec logo, Norand, ArciTech, Beverage Routebook, CrossBar, dcBrowser, Duratherm, EasyADC, EasyCoder, EasySet, Fingerprint, INCA (under license), i-gistics, Intellitag, Intellitag Gen2, JANUS, LabelShop, MobileLAN, Picolink, Ready-to-Work, RoutePower, Sabre, ScanPlus, ShopScan, Smart Mobile Computing, SmartSystems, TE 2000, Trakker Antares, and Vista Powered are either trademarks or registered trademarks of Intermec Technologies Corporation.

There are U.S. and foreign patents as well as U.S. and foreign patents pending.

## Document Change Record

This page records changes to this document. The document was previously released as 1-960606-05.

Version Number	Date	Description of Change
940-001-002	4/2011	Fixed an incorrect brace part number.
940-001-001	12/2009	Revised to include changes for the Asterix Upgrade Program.



# Contents

PF2i and PF4i Spare Parts Catalog . . . . .	7
Spare Parts Overview . . . . .	7
PF2i Spare Parts Overview . . . . .	8
PF4i Spare Parts Overview . . . . .	10
PF4ci Spare Parts Overview . . . . .	12
Spare Parts. . . . .	14
Keyboard and Cover . . . . .	14
Chassis . . . . .	15
PF2i Print Mechanism . . . . .	16
PF4i Print Mechanism . . . . .	17
PF4ci Print Mechanism . . . . .	18
Print Mechanism Electronics Compartment Side 1 . . . . .	19
Print Mechanism Electronics Compartment Side 2 . . . . .	20
Label Stop Sensor . . . . .	21
PF2i and PF4i Ribbon Supply Unit . . . . .	22
Ribbon Rewind Unit . . . . .	23
Ribbon Motor . . . . .	24
PF2i Side Doors . . . . .	25
PF4i Side Doors . . . . .	26
PF4ci Side Door . . . . .	27
PF4i and PF4ci Megatop Side Doors . . . . .	28
Front Door . . . . .	29
Quick Load Guides . . . . .	30
PF2i and PF4i Media Supply Roll Post . . . . .	31
PF4ci Media Supply Roll Post . . . . .	32
Media Supply Hub . . . . .	33
3-Inch Adapter . . . . .	34
PF2i Liner Takeup Unit (Option) . . . . .	35
PF4i and PF4ci Liner Takeup Unit (Option) . . . . .	36
PF4i and PF4ci Paper Cutter . . . . .	37
CPU Board . . . . .	38
Power Supply Unit . . . . .	39
Double Serial Interface Kit (Fingerprint Option) . . . . .	40
Serial/Industrial Interface Kit (Fingerprint Option) . . . . .	41
IEEE 1284 Parallel Interface Kit (Option) . . . . .	42
EasyLAN Ethernet Interface Kit (Option) . . . . .	43
EasyLAN Wireless Interface Kit (Option) . . . . .	44
IM4 RFID Kit (Option) . . . . .	45
Label Taken Sensor (Option) . . . . .	46



## PF2i and PF4i Spare Parts Catalog

This spare parts catalog includes detailed information about spare parts and accessories for the PF2i and PF4i Mid-Range Printers. For information about parts not listed in this catalog, contact your Intermec Service representative.

Information in this manual is subject to change without prior notice and does not represent a commitment on the part of Intermec. For the most current information, see the Spare Parts Price List available from the Intermec web site at [www.intermec.com](http://www.intermec.com).

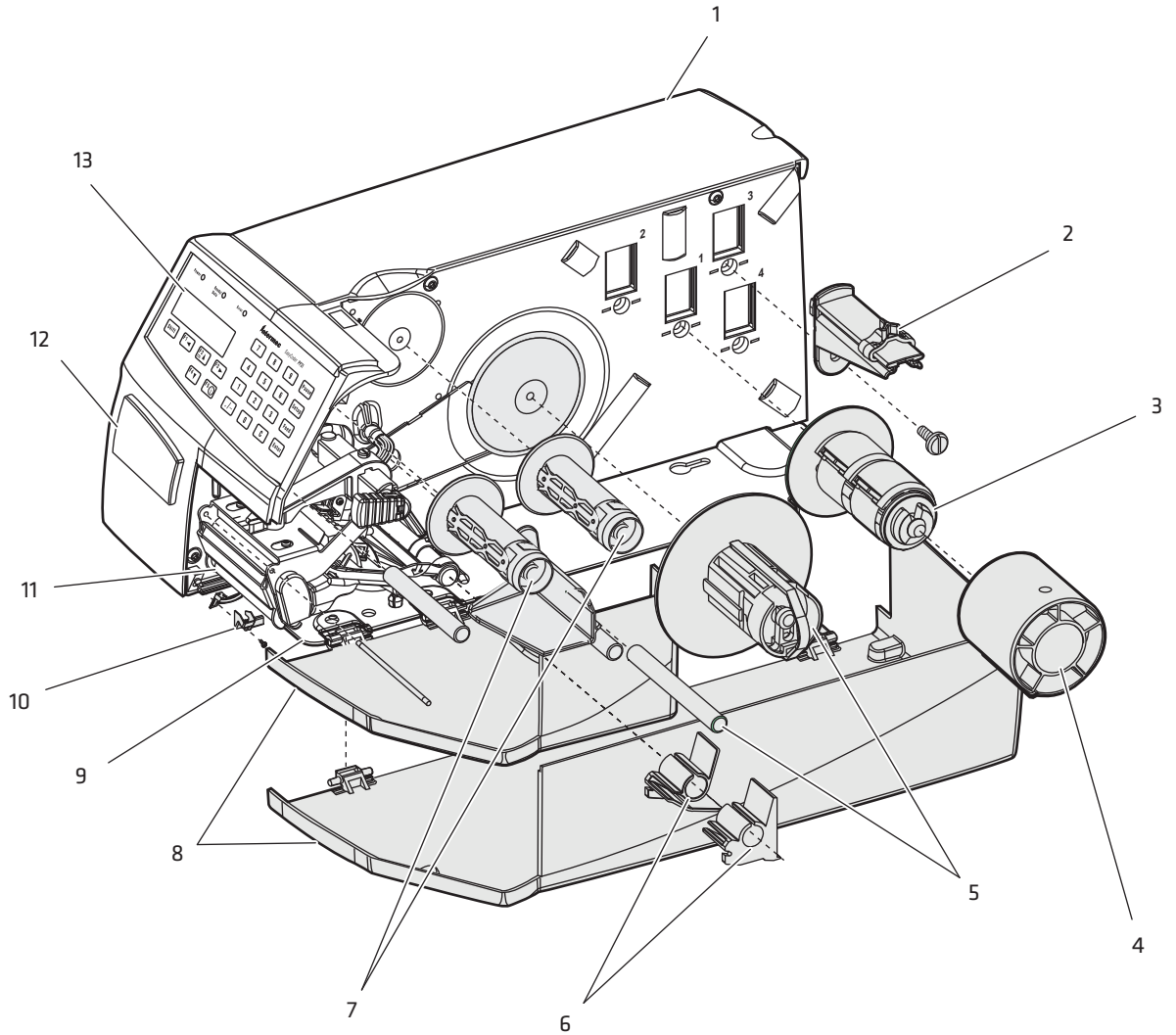


**Always make sure that you have the correct part. Some electrical parts, such as printheads, printhead cables, and interface boards may look similar to parts for other printers. However, these parts are not compatible. Installing the wrong part may damage the printer.**

## Spare Parts Overview

This section contains information about spare parts for the PF2i and PF4i printers. Use the overview illustrations and tables to locate and identify each spare part assembly.

# PF2i Spare Parts Overview

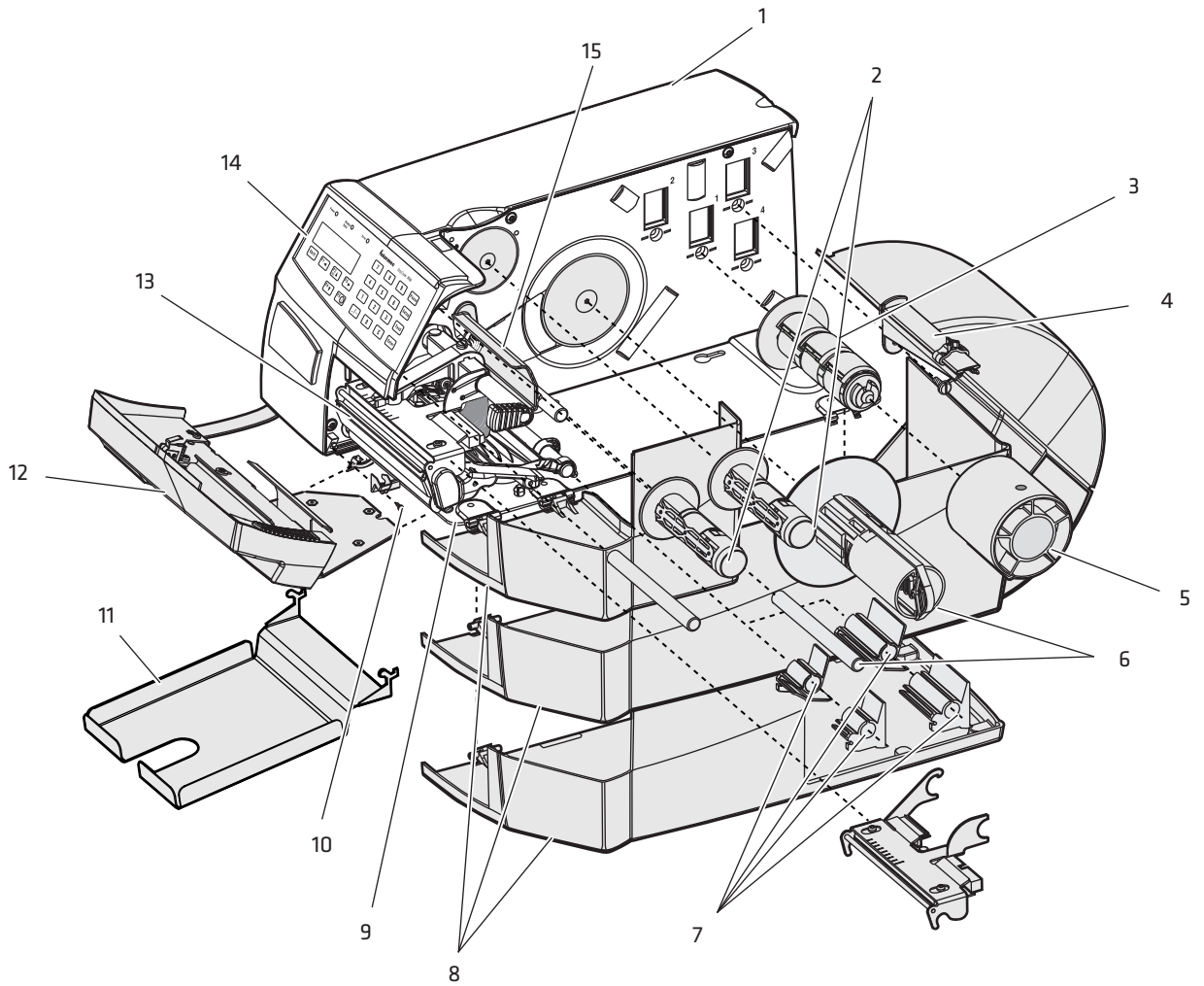




***PF2i Spare Parts Overview***

<b>Callout</b>	<b>Description</b>	<b>Page</b>
1	Cover	<b>14</b>
2	Media supply roll post	<b>31</b>
3	Media supply hub (option)	<b>33</b>
4	3-inch adapter (option)	<b>34</b>
5	Liner takeup unit (option)	<b>35</b>
6	Quick load guides	<b>30</b>
7	Transfer ribbon mechanism (option)	<b>21, 22, 23</b>
8	Side doors	<b>25</b>
9	Chassis	<b>15</b>
10	Label taken sensor (option)	<b>46</b>
11	Print mechanism	<b>16, 19</b>
12	Print button	<b>29</b>
13	Keyboard	<b>14</b>

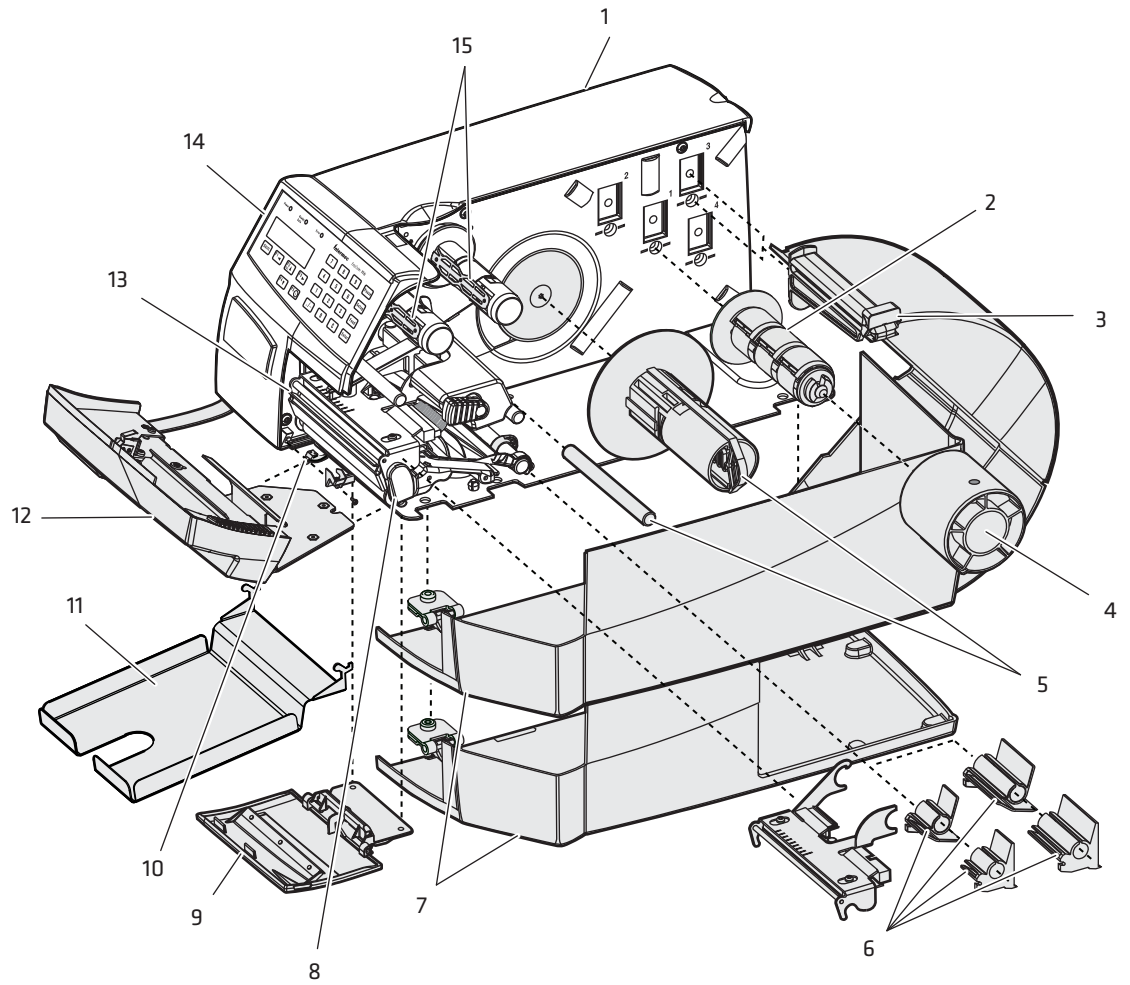
# PF4i Spare Parts Overview



**PF4i Spare Parts Overview**

<b>Callout</b>	<b>Description</b>	<b>Page</b>
1	Cover	<b>14</b>
2	Transfer ribbon mechanism	<b>22, 23, 24</b>
3	Media supply hub (option)	<b>33</b>
4	Media supply roll post	<b>31</b>
5	3-inch adapter (option)	<b>34</b>
6	Liner takeup unit (option)	<b>36</b>
7	Quick load guides	<b>30</b>
8	Doors (3 different types)	<b>26, 28</b>
9	Chassis	<b>15</b>
10	Label taken sensor (option)	<b>46</b>
11	Paper cutter tray (option)	<b>37</b>
12	Paper cutter (option)	<b>37</b>
13	Print mechanism	<b>17, 19, 20</b>
14	Keyboard	<b>14</b>
15	Thermal printhead cover	<b>17</b>

# PF4ci Spare Parts Overview



### PF4ci Spare Parts Overview

Callout	Description	Page
1	Cover	14
2	Media supply hub (option)	33
3	Media supply roll post	32
4	3-inch adapter (option)	34
5	Liner takeup unit (option)	36
6	Quick load guides	30
7	Doors (2 different types)	27, 28
8	Chassis	15
9	Front door	29
10	Label taken sensor (option)	46
11	Paper cutter tray (option)	37
12	Paper cutter (option)	37
13	Print mechanism	18, 19, 20
14	Keyboard	15
15	Transfer ribbon mechanism	22, 23, 24

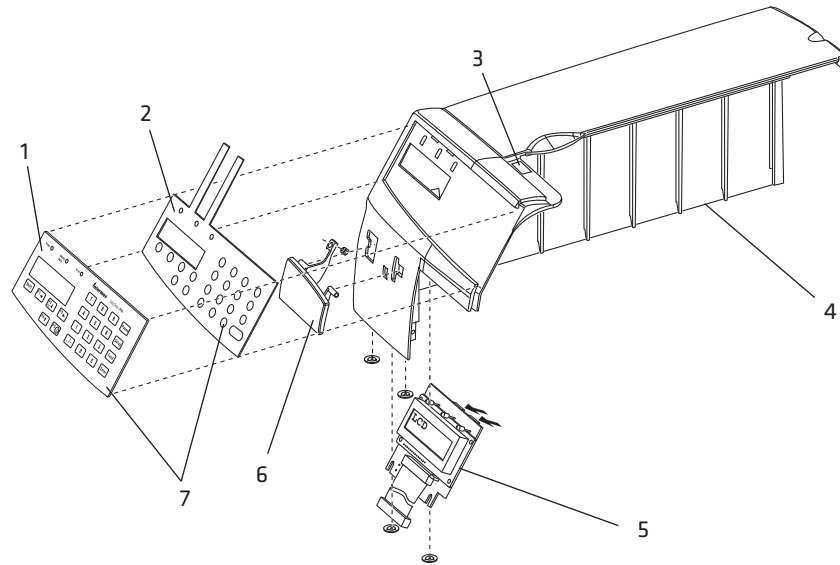
### Accessories

Part Number	RoHS Part Number	Description	Notes
1-975571-20		Power cord UL/CSA	U.S.A, Canada
1-975571-30		Power cord	U.K. Ireland
1-975571-10		Power cord	European standard
1-975571-00		Power cord	Australia, New Zealand
59012-1		Parallel interface cable	
1-091122-06		Serial interface cable RS-232	
1-206449-04		Printhead cable assembly, PF2i	PF2i
1-206450-03		Printhead cable assembly, PF4i	PF4i and PF4i Compact Industrial
1-110101-00		Cleaning card 25-pack	PF2i
1-110501-00		Cleaning card 25-pack	PF4i and PF4i Compact Industrial
GEZ400STB		Abrasive pH cleaning card	PF4i and PF4i Compact Industrial
5-900901-00	5-900901-001	Keyboard converter	PS/2 to RS232C
5-900902-00	5-900902-001	Programming adapter	To program the keyboard converter
1-206555-99		Conversion kit for F4 thermal transfer	
203-841-002		SITA output tray kit	
		CompactFlash memory card (various sizes)	Refer to Spare Parts List
		Firmware card and font card (various font collections)	Refer to Spare Parts List

# Spare Parts

This section contains detailed illustrations and part numbers for each spare part.

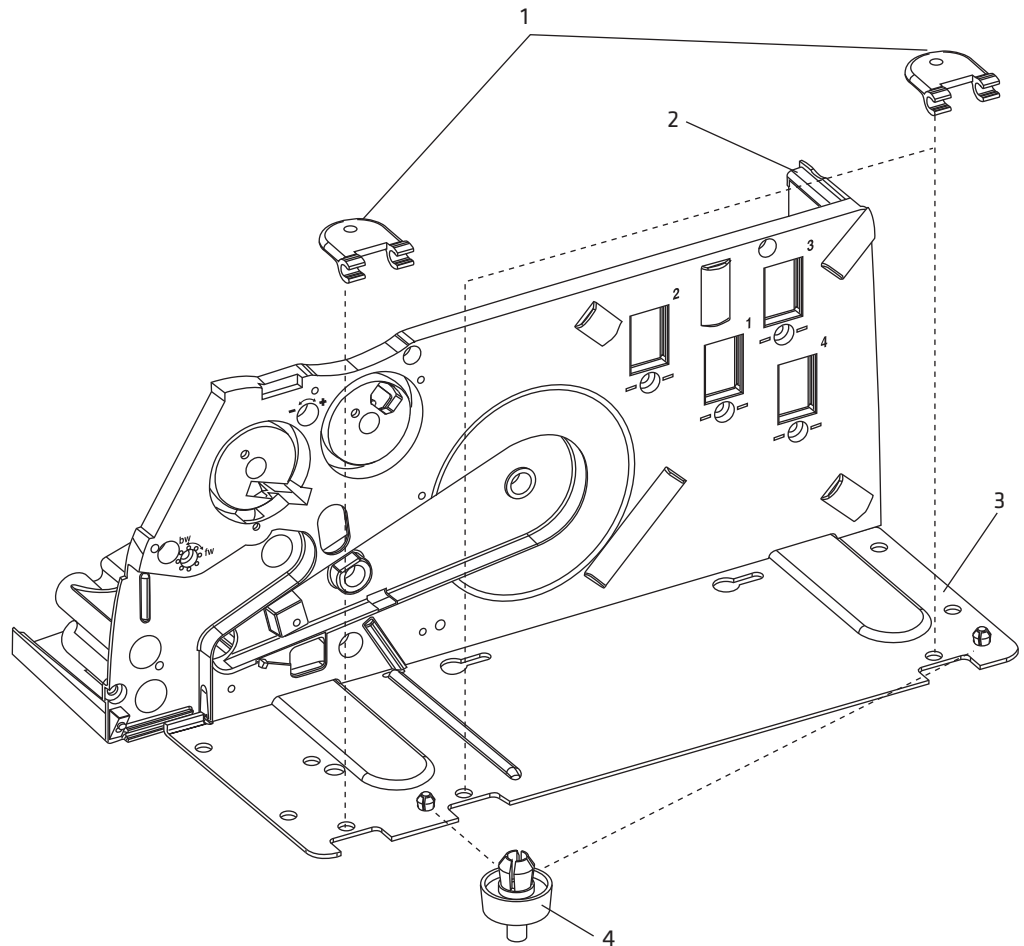
## Keyboard and Cover



### Keyboard and Cover Spare Parts

Callout	Part Number	RoHS Part Number	Description	Notes
1	1-206468-00		PF2i (IPL) overlay	
	1-206468-20		PF2i (Fingerprint) overlay	
	1-206468-10		PF4i (IPL) overlay	
	1-206468-30		PF4i (Fingerprint) overlay	
	355-417-001		PF2D overlay	
	355-418-001		PF4D overlay	
2	1-206222-01		Keyboard	Excludes overlay
3	1-206453-90	1-206453-90	Door magnet assembly	Includes screw
4	1-207018-001		Cover assembly (light gray for PF2i and PF4i)	Includes two locking washers
	1-207018-010		Cover assembly (metallic gray for PF4ci)	
5	1-971633-95	1-971133-900	Console PCB assembly	Includes cable and two locking washers
6	1-206223-90	1-206223-90	Print button assembly (dark gray for PF2i and PF4i)	Includes two locking washers
	1-206223-95	1-206223-95	Print button assembly (blue/gray for PF4ci)	
7	1-206468-80	1-206468-80	PF2i (IPL) keyboard assembly	Excludes console PCB
	1-206468-85	1-206468-85	PF2i (Fingerprint) keyboard assembly	Excludes console PCB
	1-206468-90	1-206468-90	PF4i (IPL) and PF4ci keyboard assembly	Excludes console PCB
	1-206468-95	1-206468-95	PF4i (Fingerprint) and PF4ci keyboard	Excludes console PCB
	1-206452-50		Badge compact industrial	
	1-994059-008		MRT 4x8 ZP screw	Three used to secure cover

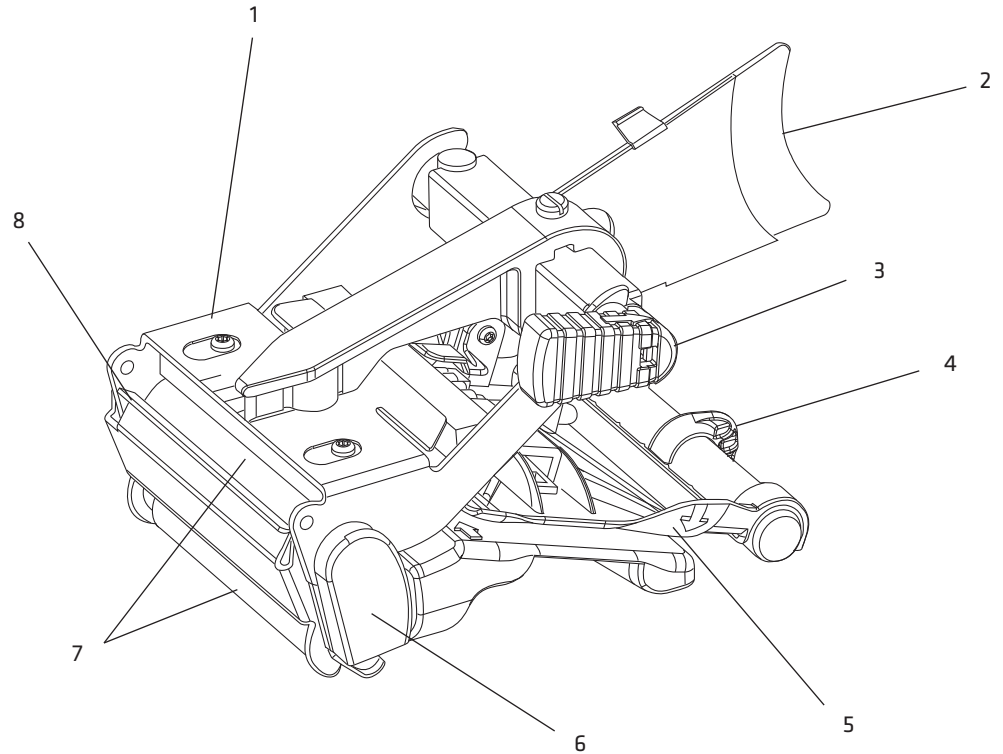
# Chassis



## Chassis Spare Parts

Callout	Part Number	RoHS Part Number	Description	Notes
1	1-206256-91	1-206256-91	Hinge includes grounding foil (PF2i and PF4i only)	10-pack
2	524-124-001		Rear plate for PF2D and PF4D	
3	1-206204-10		Bottom plate, 2"	
	1-206204-21		Bottom plate, 4"	
4	1-992328-90	1-992328-90	Rubber foot (four pieces in each printer)	12-pack
			Hinges for PF4ci	See <a href="#">page 27</a> .

## PF2i Print Mechanism

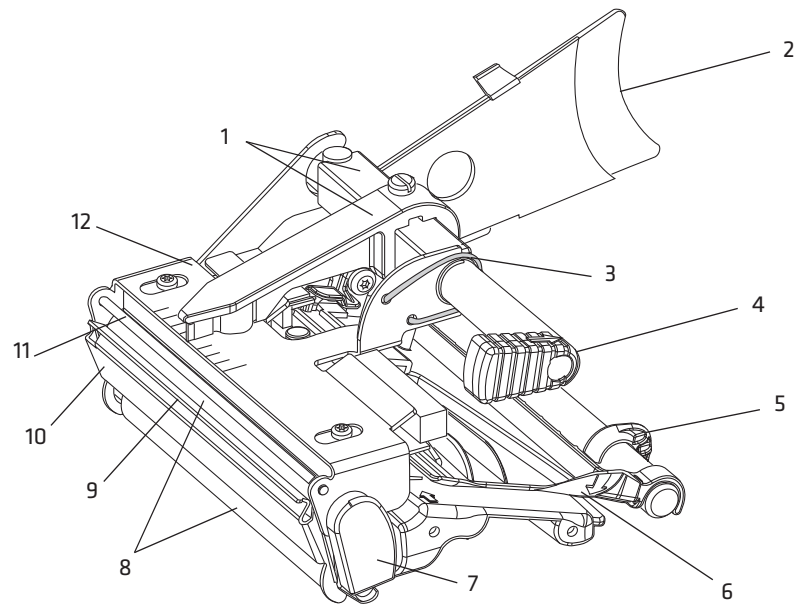


### PF2i Print Mechanism Spare Parts

Callout	Part Number	RoHS Part Number	Description	Notes
1	1-010030-90	1-010030-900	Thermal printhead assembly (8 dots/mm)	Includes bracket and printhead ribbon break shaft
2	1-206254-03	1-206254-03	Guide cover 2"	For PF2i
3	1-206273-90	1-206273-90	Cam handle	
4	1-206284-01		Edge guide	
5	1-206252-02		Paper guide (upper)	
6	1-206248-01		Guide link	
	642-941-001		Guide link for PF2D	
	1-975587-01		Label stop sensor assembly	See <a href="#">page 21</a> .
7	1-206203-90	1-206203-90	Platen roller/Liner drive roller	
8	1-206206-02		Tear bar	
	1-206114-90		Paper guide assembly	Paper guide (upper), LSS assembly, and guide cover



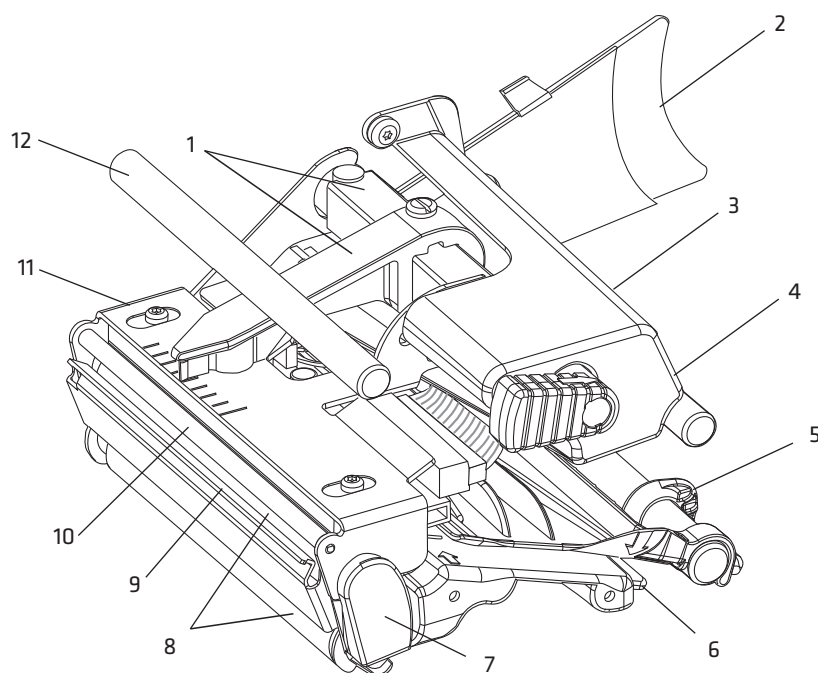
## PF4i Print Mechanism



### PF4i Print Mechanism Spare Parts

Callout	Part Number	RoHS Part Number	Description	Notes
1	1-206150-90		Pressure arm assembly	
2	1-206276-02	1-206276-03	Guide cover, 4"	PF4i
3	1-206423-90	1-206423-90	Spring thermal printhead kit	Includes installation instructions
4	1-206301-90	1-206301-90	Cam handle	
5	1-206284-01		Edge guide	
6	1-206275-02		Paper guide (upper)	
7	1-206248-01		Guide link	
	642-941-001		Guide link, PF4D	
8	1-206203-95	1-206203-95	Platen roller/Line drive roller	Includes bearing
9	1-206278-04		Tear bar	
10	1-206182-00		Adjustable dispenser plate, PF4/PM4	
	655-156-001		Dispenser, PF4D	
11	1-206250-00		Shaft, 4"	Held by retaining clip P/N 1-206288-00
12	1-010043-920	1-010043-920	TPH assembly (203 dpi)	AMTRAK printers only
	1-010043-90	1-010043-900	TPH assembly (8 dots/mm)	Media thickness max 175µm
	1-010043-91	1-010043-910	TPH assembly (8 dots/mm)	Media thickness 170-220µm
	1-010044-90	1-010044-900	TPH assembly (11.81 dots/mm)	Media thickness max 175µm
	1-010044-91	1-010044-910	TPH assembly (11.81 dots/mm)	Media thickness 170-220µm
	1-010045-90	1-010045-900	TPH assembly (8 dots/mm) 3mm offset	
13	1-206269-01		TPH cover, cable 4" machined	
	1-975587-01		Label stop sensor assembly	See <a href="#">page 21</a> .
	1-206118-90	1-206118-910	Paper guide assembly	Upper paper guide cover, LSS assembly

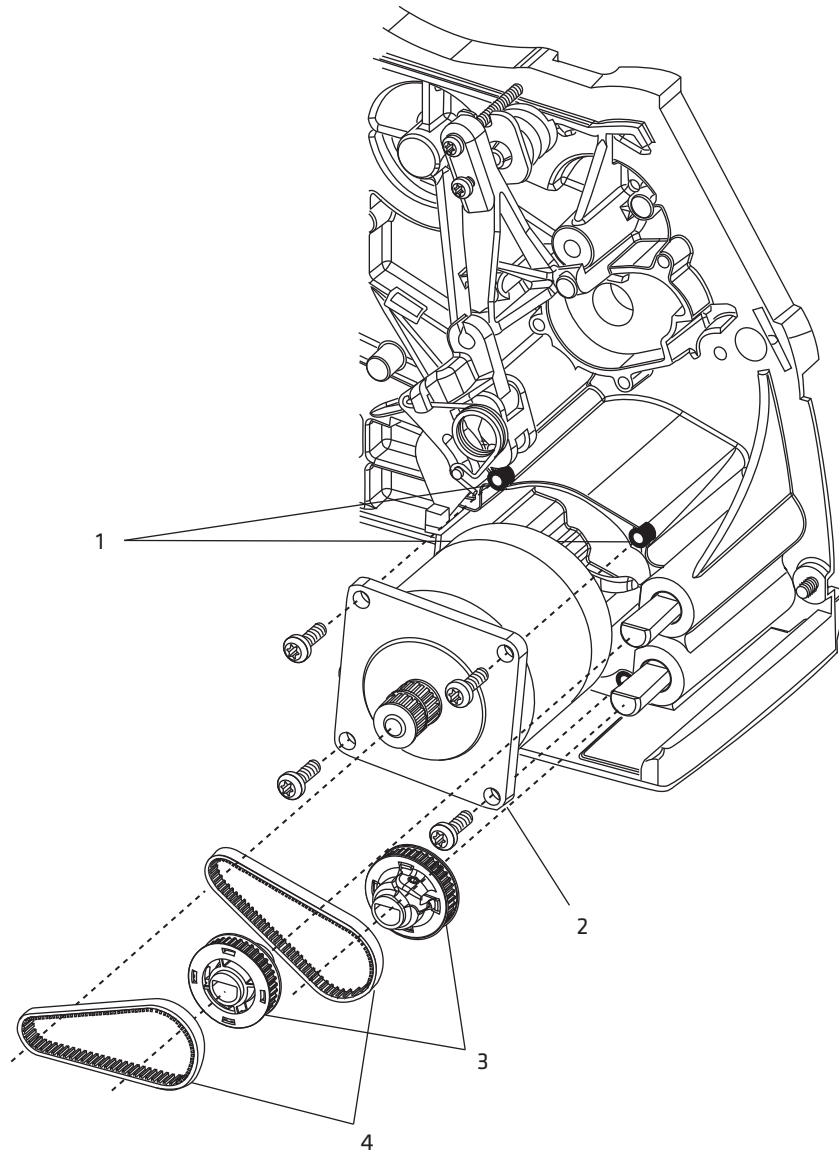
## PF4ci Print Mechanism



### PF4ci Print Mechanism Spare Parts

Callout	Part Number	RoHS Part Number	Description	Notes
1	1-206150-90		Pressure arm assembly	
2	1-206276-02	1-206276-03	Guide cover 4"	
3	1-206397-03		Cable cover	
4	1-206301-90		Cam handle	
5	1-206284-01		Edge guide	
6	1-206275-02		Paper guide (upper)	
7	1-206248-01		Guide link	
	642-941-001		Guide link, PF4D	
8	1-206203-95	1-206203-95	Platen roller/Liner drive roller	Includes bearing
9	1-206278-04		Tear bar	
10	1-206250-00		Shaft, 4"	Held by retaining clip P/N 1-206288-00
11	1-010043-90	1-010043-900	TPH assembly (8 dots/mm)	Media thickness max 175µm
	1-010043-91	1-010043-910	TPH assembly (8 dots/mm)	Media thickness 170-220µm
	1-010044-90	1-010044-900	TPH assembly (11.81 dots/mm)	Media thickness max 175µm
	1-010044-91	1-010044-910	TPH assembly (11.81 dots/mm)	Media thickness 170-220µm
12	1-206242-00		Guide shaft, 4"	
	1-206118-90	1-206118-910	Paper guide assembly	Paper guide (upper), LSS assembly, and guide cover
	1-975587-01		Label stop sensor assembly	See <a href="#">page 21</a> .

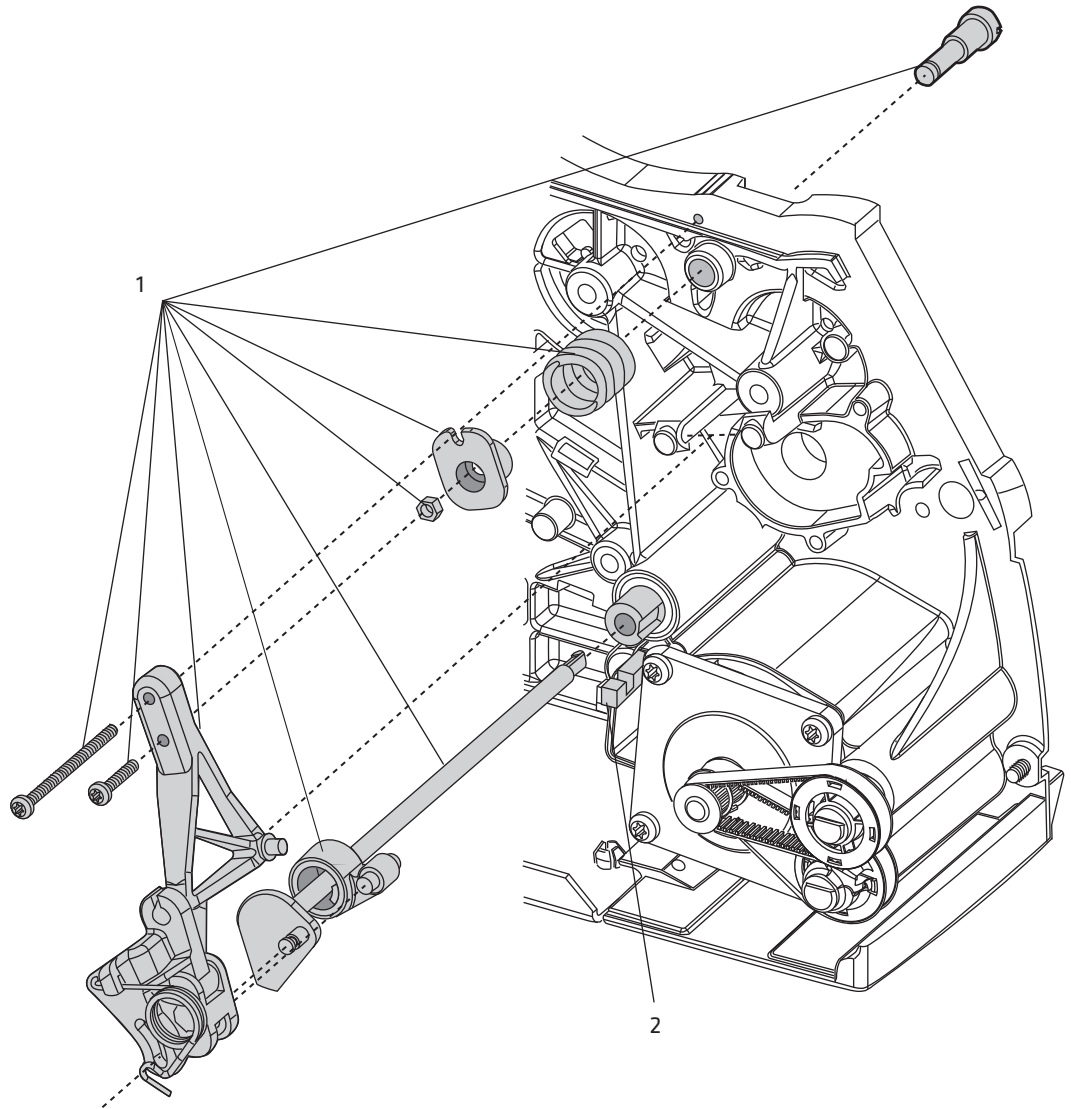
## Print Mechanism Electronics Compartment Side 1



### Print Mechanism Electronics Compartment Side 1 Spare Parts

Callout	Part Number	Description	Notes
1	1-206039-02	Vibration damper	
2	1-206960-11	Stepper motor assembly	Includes pulleys
3	1-206100-01	Pulley	
4	1-995103-01	Belt	

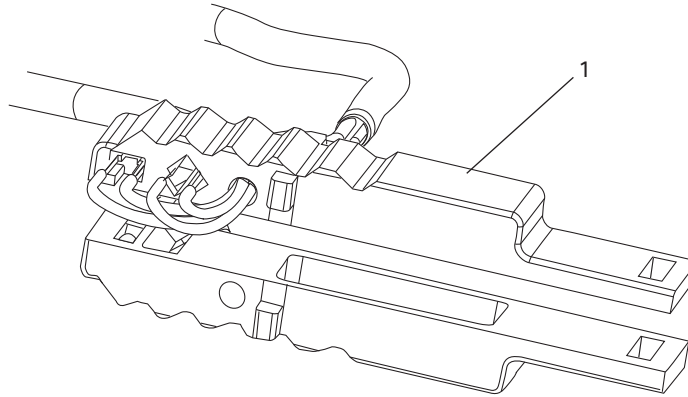
## Print Mechanism Electronics Compartment Side 2



### **Print Mechanism Electronics Compartment Side 2 Spare Parts**

Callout	Part Number	RoHS Part Number	Description
1	1-206106-90	1-206106-90	Headlift linkage assembly
2	1-974001-001		Headlift sensor

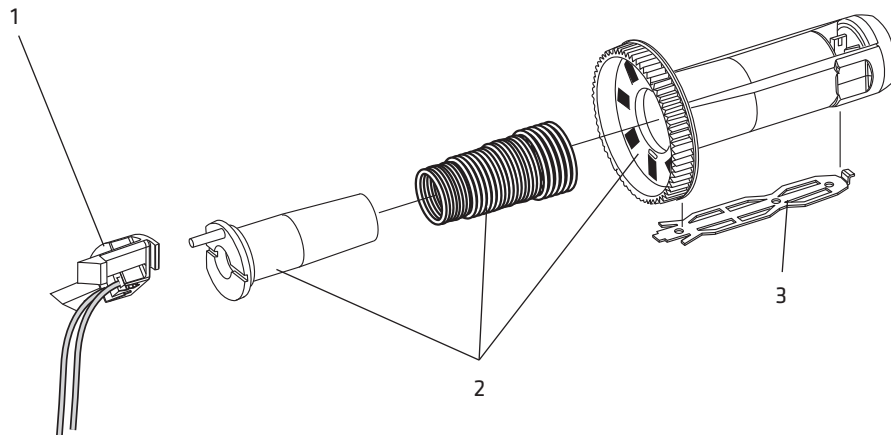
## Label Stop Sensor



### **Chassis Spare Parts**

Callout	Part Number	Description	Notes
1	1-975587-01	Label stop sensor	Complete set includes cables

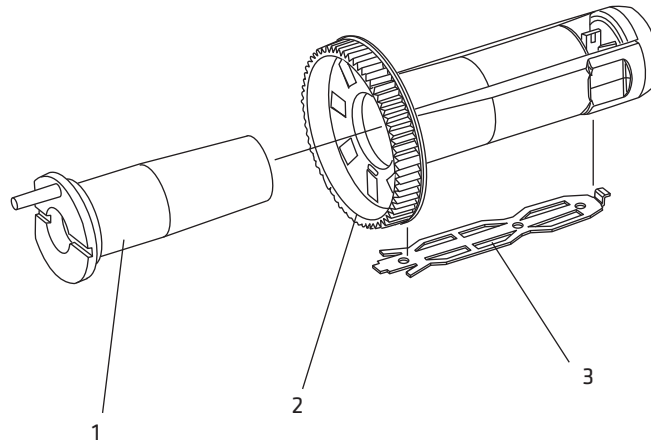
## PF2i and PF4i Ribbon Supply Unit



### Ribbon Supply Unit Spare Parts

Callout	Part Number	Description	Notes
1	1-974002-001	Sensor ribbon unwind assembly	Includes cable
2	1-206146-01	Ribbon supply unit assembly, PF2i	Bobbin, hub with code disc, and spring clutch
	1-206112-02	Ribbon supply unit assembly, PF4i	Bobbin, hub with code disc, and spring clutch
3	1-206370-01	Bobbin plate, PF2i	
	1-206266-01	Bobbin plate, PF4i	

## Ribbon Rewind Unit



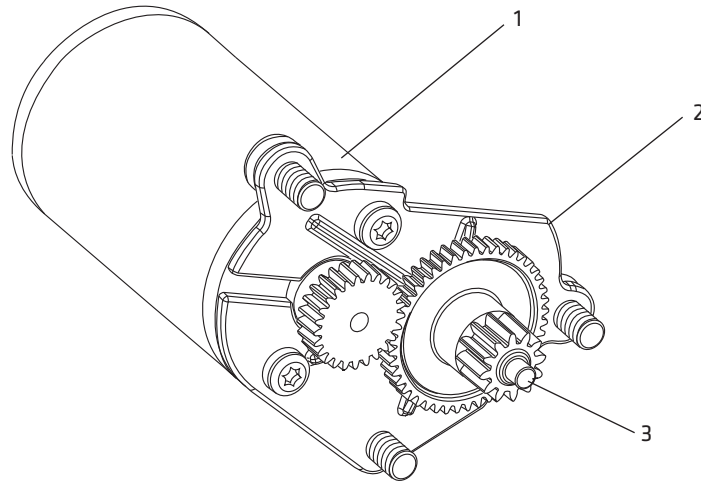
### ***Ribbon Rewind Unit Spare Parts***

Callout	Part Number	Description
1	1-206271-00	Hub
2	1-206145-01	PF2i bobbin
	1-206111-02	PF4i and PF4ci bobbin
3	1-206370-01	PF2i bobbin plate
	1-206266-01	PF4i and PF4ci bobbin plate



**Note:** This part is an option for the PF2i but is standard for the PF4i and PF4ci.

# Ribbon Motor

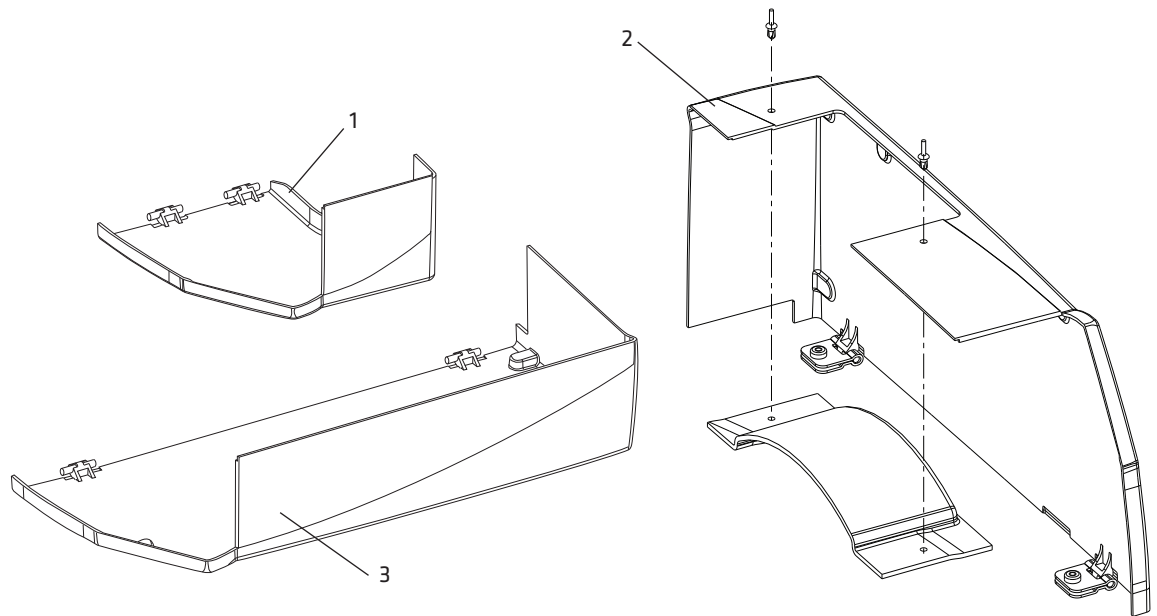


## Ribbon Motor Spare Parts

Callout	Part Number	RoHS Part Number	Description	Notes
1	1-206159-90	1-206159-900	Ribbon motor assembly	Includes gear, wheel, and cable
2	1-206132-00		Motor plate assembly	
3	1-206332-00		Gear wheel	



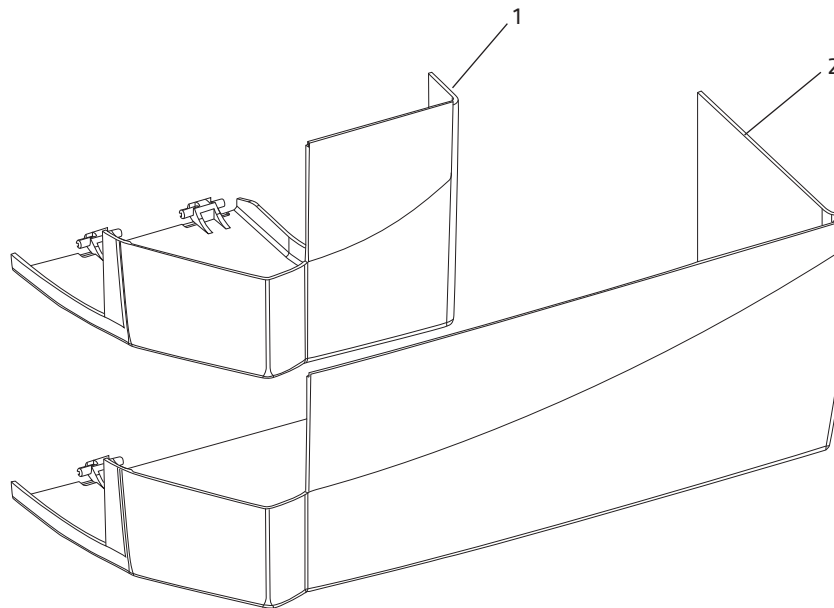
## PF2i Side Doors



### PF2i Side Doors Spare Parts

Callout	Part Number	RoHS Part Number	Description	Notes
1	1-206564-90	1-206564-90	Door, short (light gray)	No hinges included
2	1-207061-001		Media cover, F2 assembly	
3	1-206560-90	1-206560-90	Door, long (light gray)	One hinge included

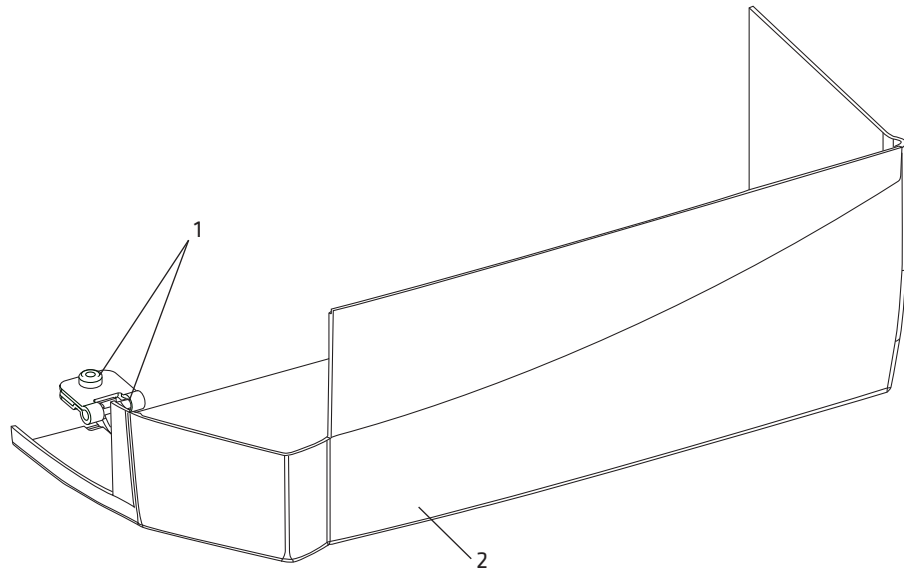
## PF4i Side Doors



### PF4i Side Doors Spare Parts

Callout	Part Number	RoHS Part Number	Description	Notes
1	1-206566-90	1-206566-90	Door, short (light gray)	No hinges included
2	1-206565-90	1-206565-90	Door, long (light gray)	One hinge included

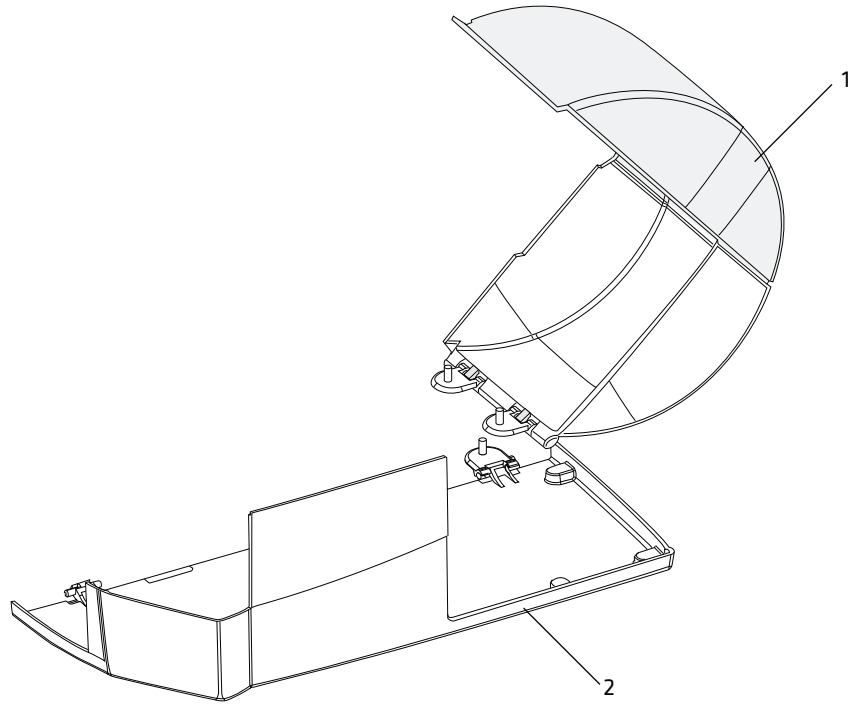
## PF4ci Side Door



### PF4ci Side Door Spare Parts

Callout	Part Number	RoHS Part Number	Description	Notes
1	1-206171-90	1-206171-90	Hinge and shaft	10-pack
2	1-206102-90	1-206102-90	Door, long (metallic gray)	Two hinges included

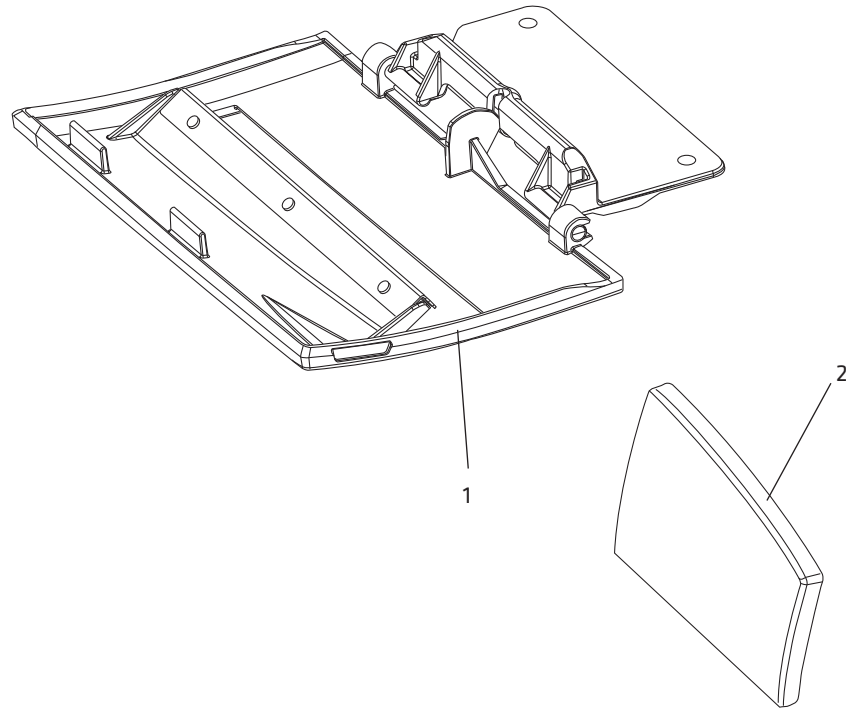
## PF4i and PF4ci Megatop Side Doors



### PF4i and PF4ci Megatop Side Doors Spare Parts

Callout	Part Number	Description	Notes
	1-206580-90	PF4i Megatop assembly for 8-inch media roll (light gray)	Option, complete unit includes three hinges
	1-206583-90	PF4ci Megatop assembly for 8-inch media roll (light gray)	Includes two expanding rivets
1	1-206133-95	PF4ci Megatop cover (excludes door)	Two hinges included
	1-206133-90	Megatop cover, F4 printer	
2	1-207059-90	Side door for 8-inch roll cover (metallic)	No hinges included
	1-206335-95	PF4ci long door for Megatop cover	

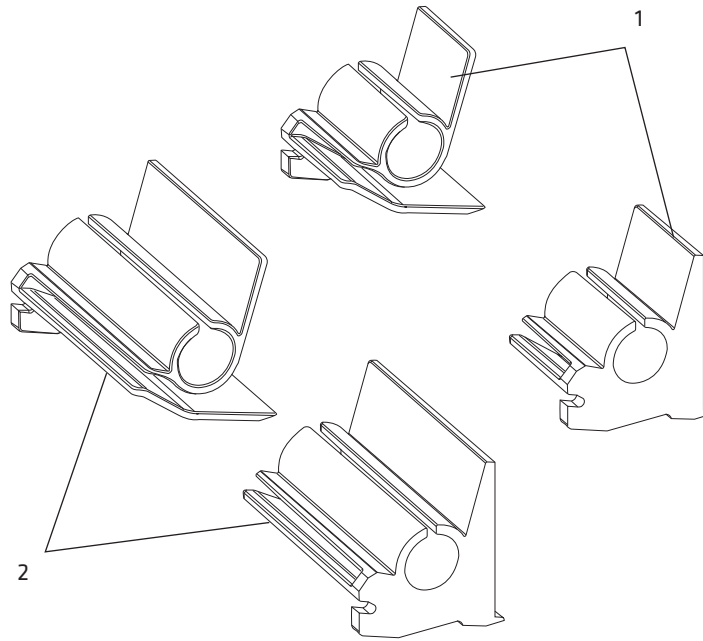
## Front Door



### Chassis Spare Parts

Callout	Part Number	RoHS Part Number	Description	Notes
1	1-206572-90		PF2i front door assembly	Includes two expanding rivets
	1-206149-01		PF4i front door assembly (light gray)	Includes two expanding rivets
	1-206149-11		PF4i front door assembly (metallic gray)	Includes two expanding rivets
2	1-206223-90	1-206223-90	Print button (gray)	
	1-206223-95	1-206223-95	Print button (dark gray)	

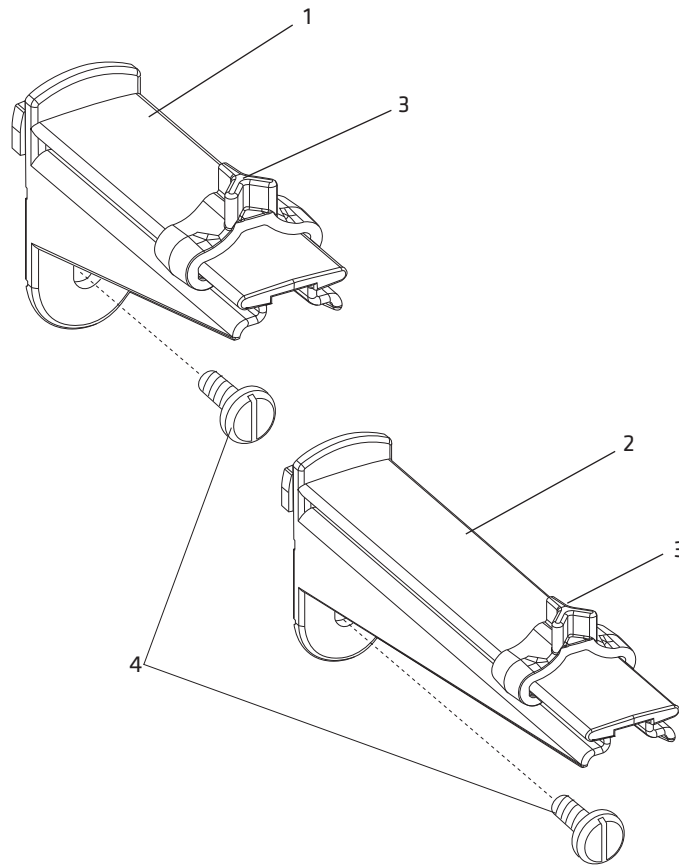
## Quick Load Guides



### Quick Load Guides Spare Parts

Callout	Part Number	RoHS Part Number	Description	Notes
1	1-206562-90	1-206562-90	Quick load guides kit (2 inches)	Fits all models
2	1-206569-90	1-206569-90	Quick load guides kit (4 inches)	Fits PF4i and PF4ci only

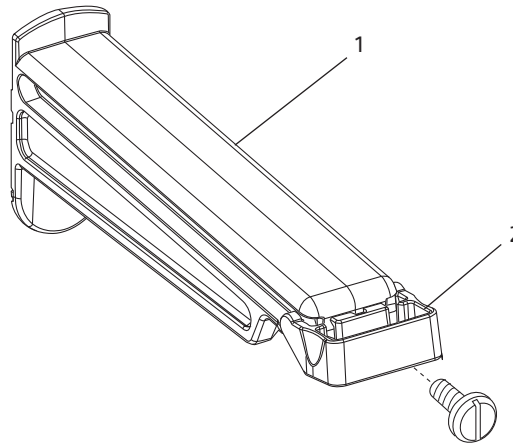
## PF2i and PF4i Media Supply Roll Post



### PF2i and PF4i Media Supply Roll Post Spare Parts

Callout	Part Number	RoHS Part Number	Description	Notes
1	1-206561-90	1-206561-90	Media supply roll post PF2i assembly	Includes edge guide and screw
2	1-206567-90	1-206567-90	Media supply roll post PF4i assembly	Includes edge guide and screw
3	1-206247-01		Edge guide	
4	1-995223-16		M6 x 16 Screw, MSCS Fzb. 5.8	

## PF4ci Media Supply Roll Post

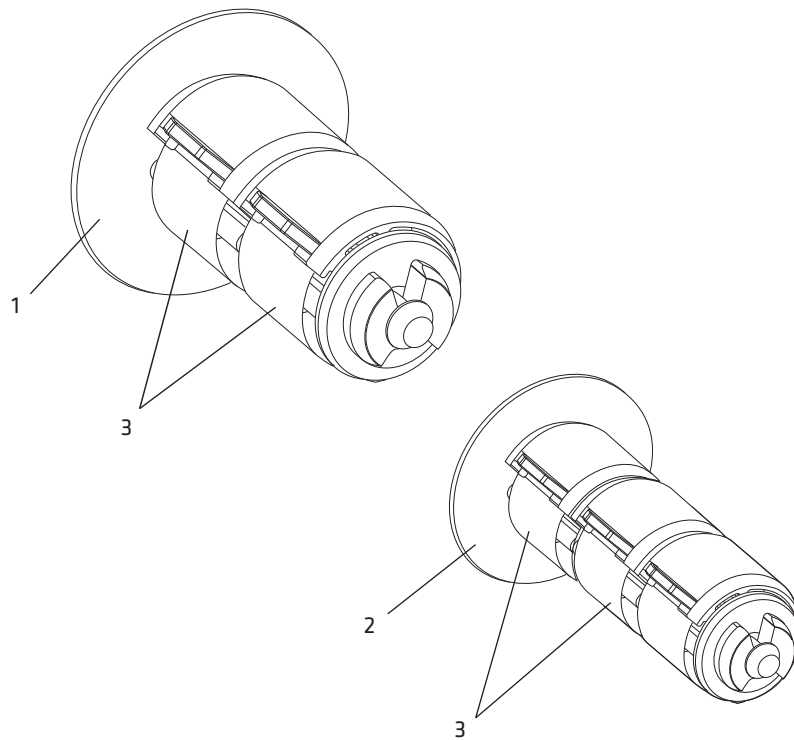


### ***PF4ci Media Supply Roll Post Spare Parts***

Callout	Part Number	RoHS Part Number	Description	Notes
1	1-206577-90	1-206577-90	PF4ci media supply roll post assembly	Includes edge guide and screw
2	1-206438-01		Edge guide	



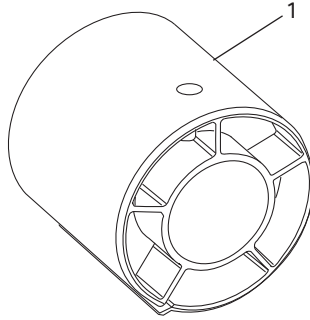
## Media Supply Hub



### Media Supply Hub Spare Parts

Callout	Part Number	RoHS Part Number	Description	Notes
1	1-206563-90	1-206563-90	PF2i media supply hub assembly	Complete unit
2	1-206568-90	1-206568-90	PF4i and PF4ci media supply hub post assembly	
3	1-150166-00		Bobbin element	

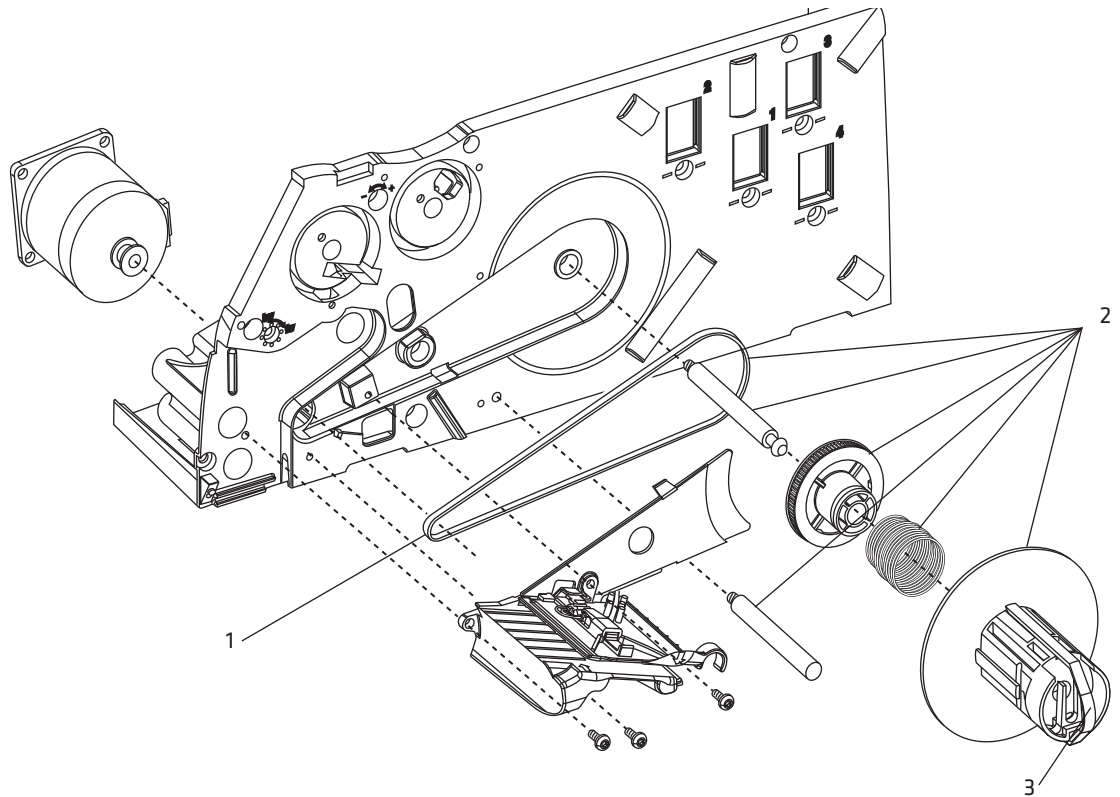
## 3-Inch Adapter



### **3-Inch Adapter Spare Parts**

Callout	Part Number	Description	Notes
1	1-040327-52	Bobbin adapter assembly	For inner core diameter of 76 mm (3 in).

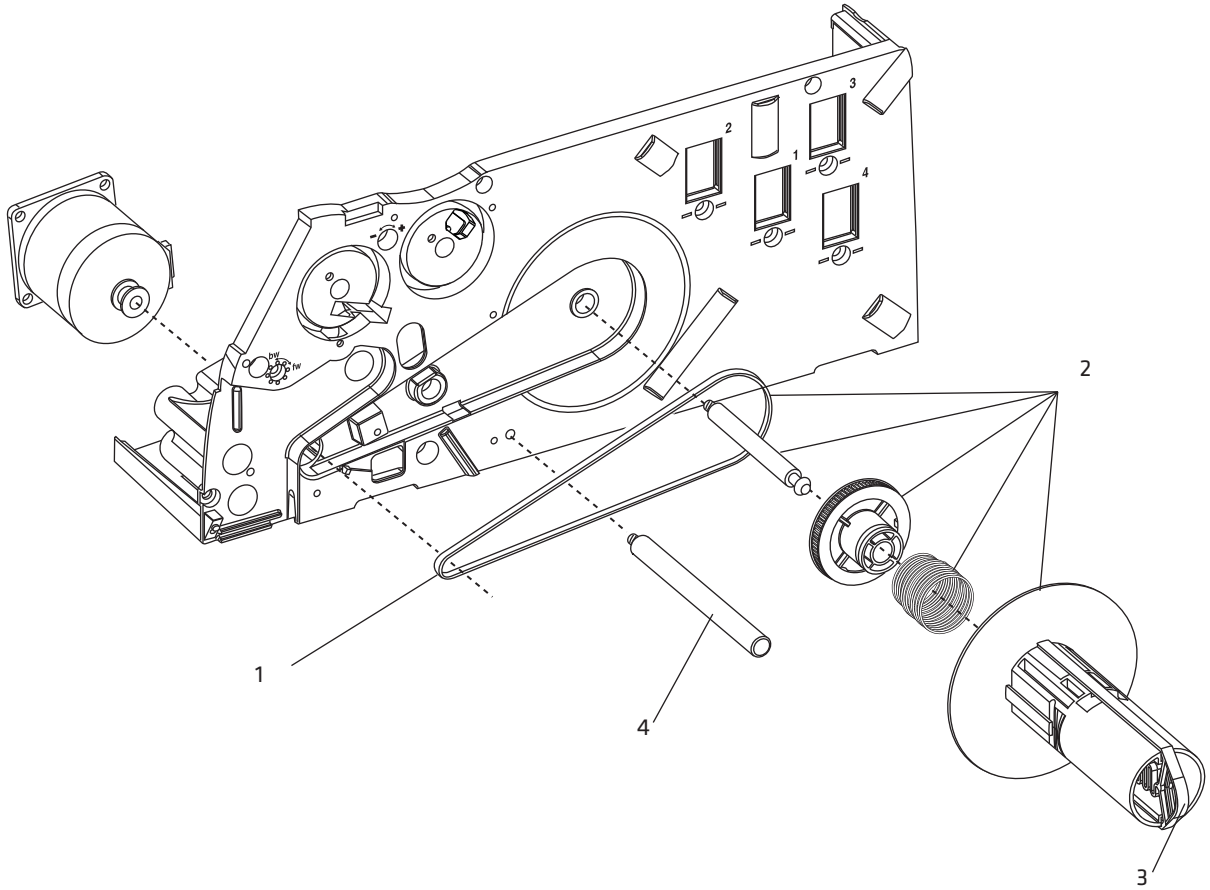
## PF2i Liner Takeup Unit (Option)



### PF2i Liner Takeup Unit Spare Parts

Callout	Part Number	Description	Notes
1	1-995103-04	Timing belt	
2	1-206570-90	Liner takeup unit assembly	Includes hub, spring clutch, pulley, shaft, belt and guide shaft
3	1-206261-00	Brace	

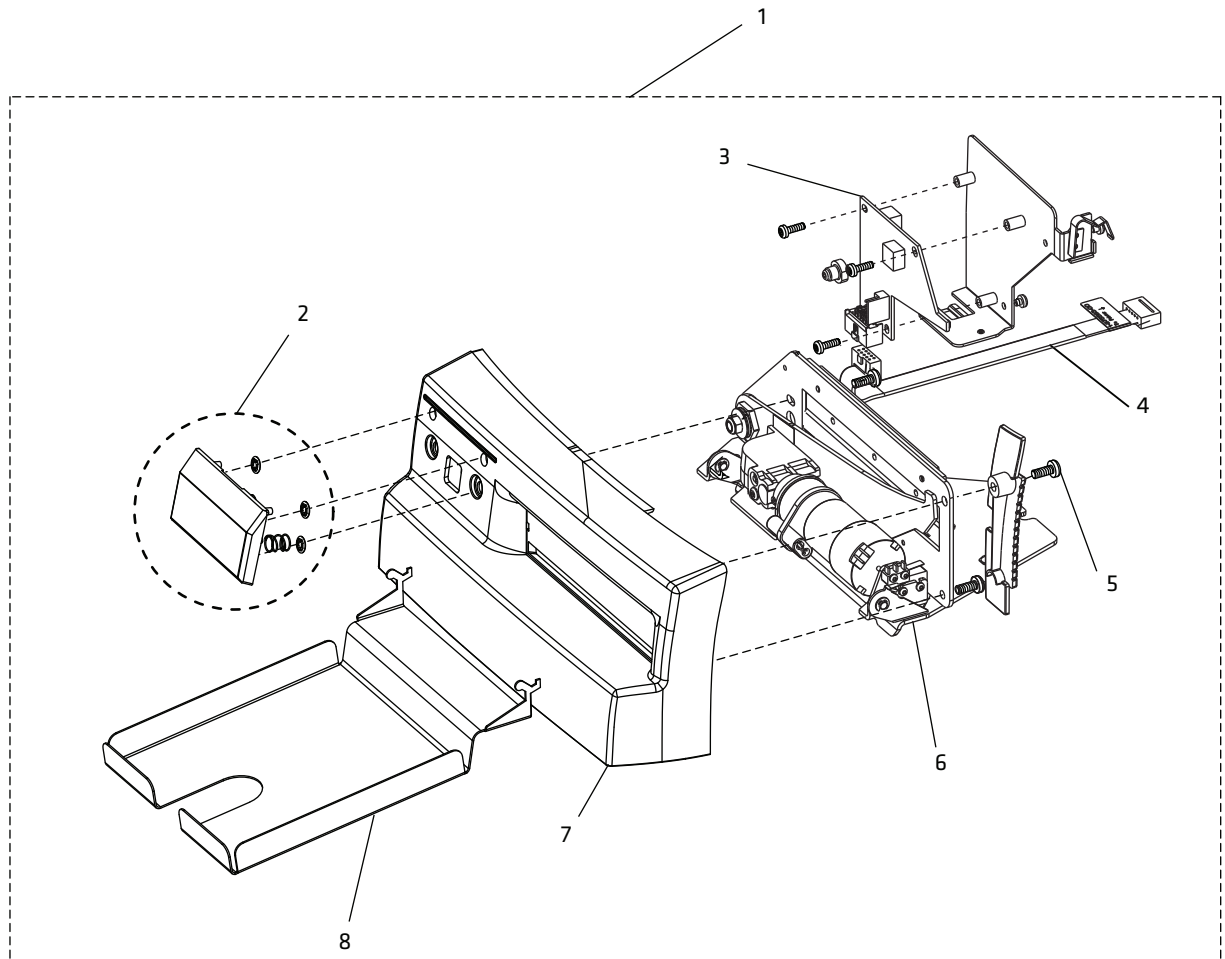
## PF4i and PF4ci Liner Takeup Unit (Option)



### PF4i and PF4ci Liner Takeup Unit Spare Parts

Callout	Part Number	RoHS Part Number	Description	Notes
1	1-995103-04		Timing belt	
2	1-206571-90	1-206571-90	Liner takeup unit assembly	Includes hub, spring clutch, pulley, shaft, belt, and guide shaft
3	1-206261-01		Brace	
4	1-206224-00		Shaft	

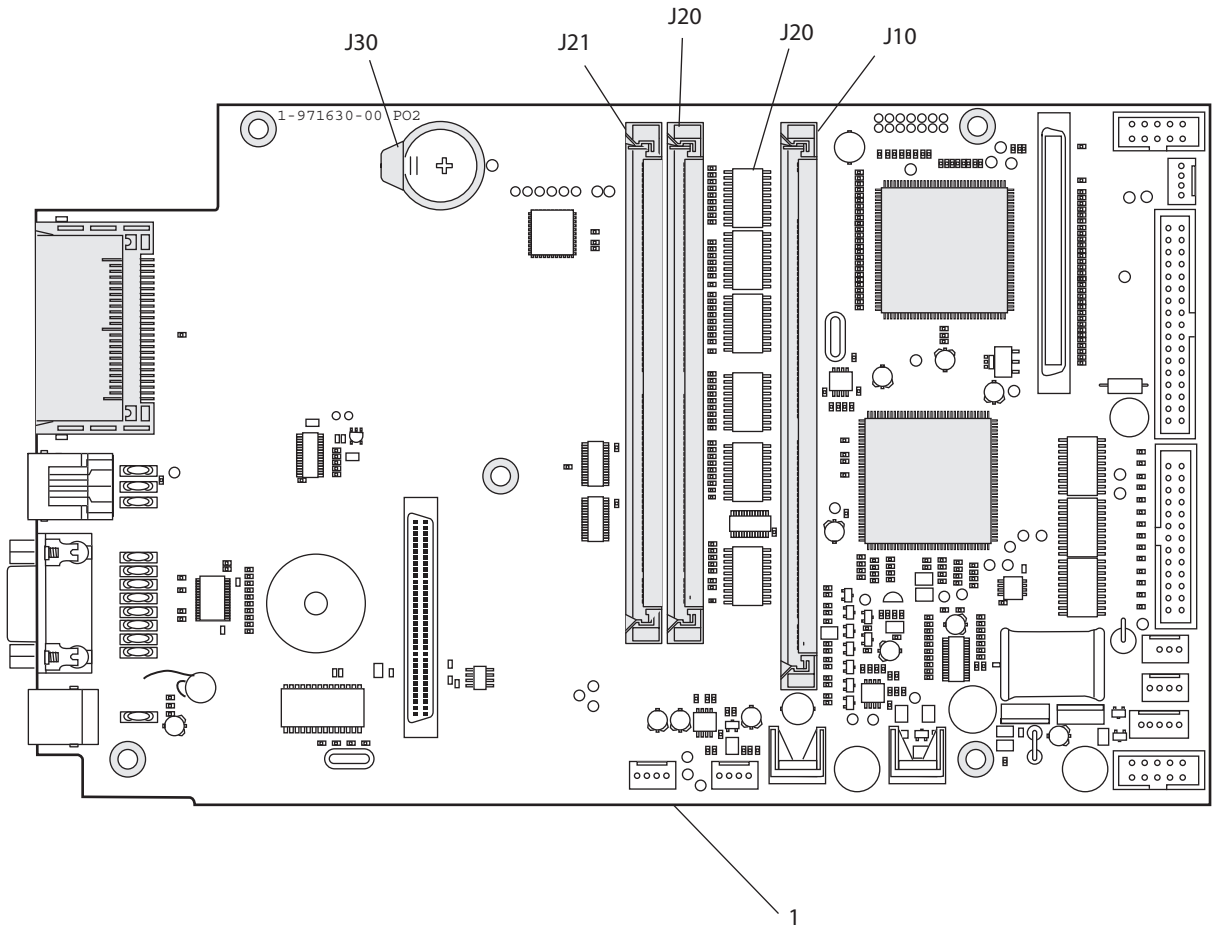
## PF4i and PF4ci Paper Cutter



### PF4i and PF4ci Paper Cutter Spare Parts

Callout	Part Number	RoHS Part Number	Description	Notes
1	1-206011-90	1-206011-900	PF4i cutter kit assembly	Complete kit
	1-206013-90	1-206013-900	PF4ci cutter kit assembly	Complete kit
	1-207110-800		Field options cutter kit, AMTRAK	
2	1-406227-90	1-406227-90	PF4i print button assembly (dark gray)	Includes one spring and four StarLoc washers
	1-406227-95		PF4ci print button assembly (blue gray)	Includes one spring and four StarLoc washers
3	1-971118-900		Cutter board F4/PF4 Spare/ASX	
4	1-974012-001		Cutter cable PF4 assembly	
5	1-994059-006		Screw, MRT 4x6 ZP	Used to install cutter assembly
6	1-206139-04		Cutter F4 assembly	
7	1-206342-01		PF4i cover (light gray)	
	1-206342-10		PF4ci cover (metallic gray)	
8	1-206303-00		Tray	

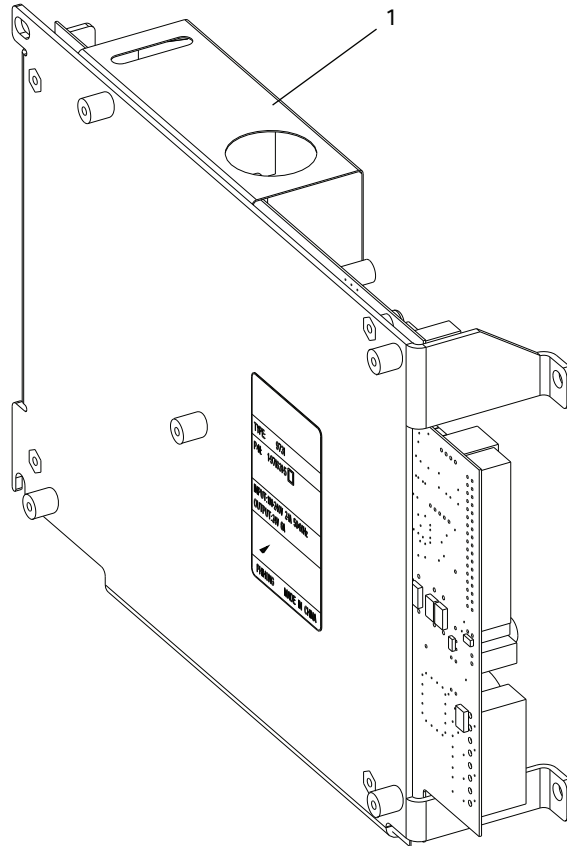
# CPU Board



## CPU Board Spare Parts

Callout	Part Number	RoHS Part Number	Description	Notes
1	1-971630-90 1-971156-900	1-971130-900	CPU board assembly MLB PF2D/PF4D	Flash DRAM SIMMs not included This MLB has a different layout than previous MLBs.
J20	1-020040-21		Flash SIMM 4MB	Includes IPL
J20	1-020040-80	1-020040-800	Flash SIMM 4MB	Includes Fingerprint
J21	1-020040-04	1-971136-001	Flash SIMM SST 4MB assembly/ASX	RoHS SIMM requires using Fingerprint version 8.7 or IPL version 2.7 or later
J21	1-020040-08		Flash SIMM 8MB (Boot)	Flash memory expansion
J21	1-020040-16		Flash SIMM 16MB (Boot)	Flash memory expansion
J10	1-971634-25	1-971634-25	SDRAM SIMM 8MB	SDRAM memory expansion
J10	1-971634-30	1-971634-30	SDRAM SIMM 16MB	SDRAM memory expansion
J30	1-956009-90	1-936009-900	Real time clock circuit	

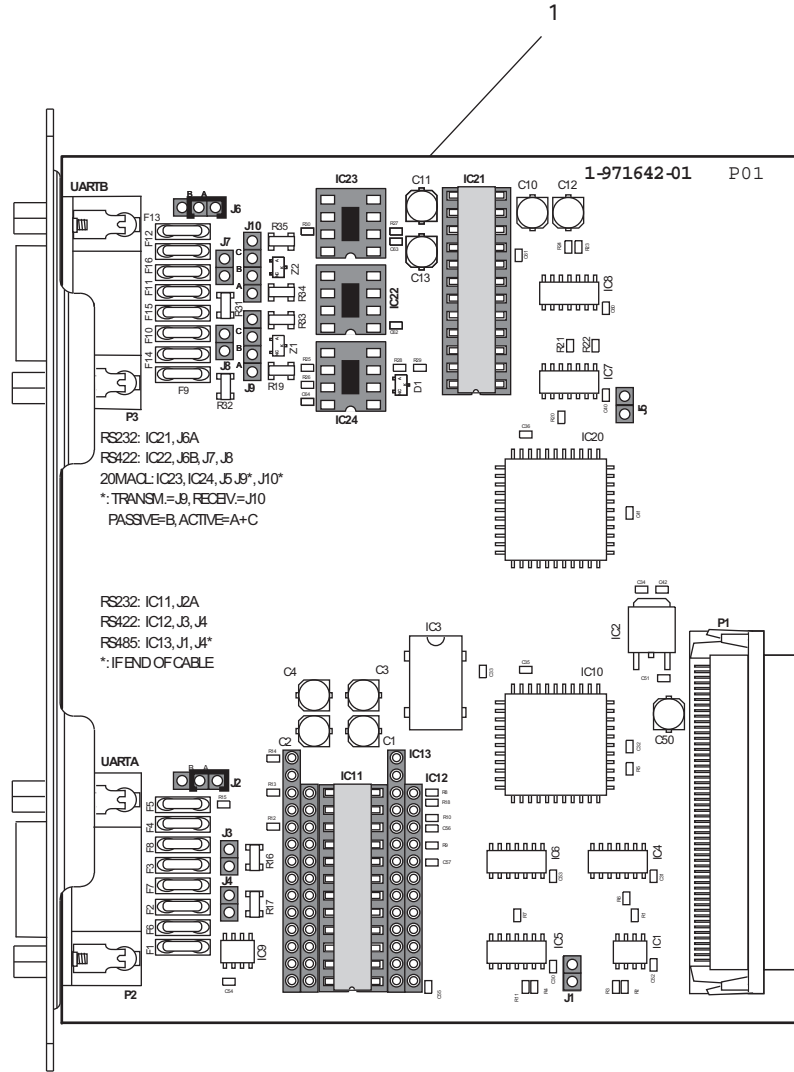
# Power Supply Unit



## Power Supply Unit Spare Parts

Callout	Part Number	Description
1	1-971131-001	PSU/Driver PF/PM assembly/ASX

# Double Serial Interface Kit (Fingerprint Option)



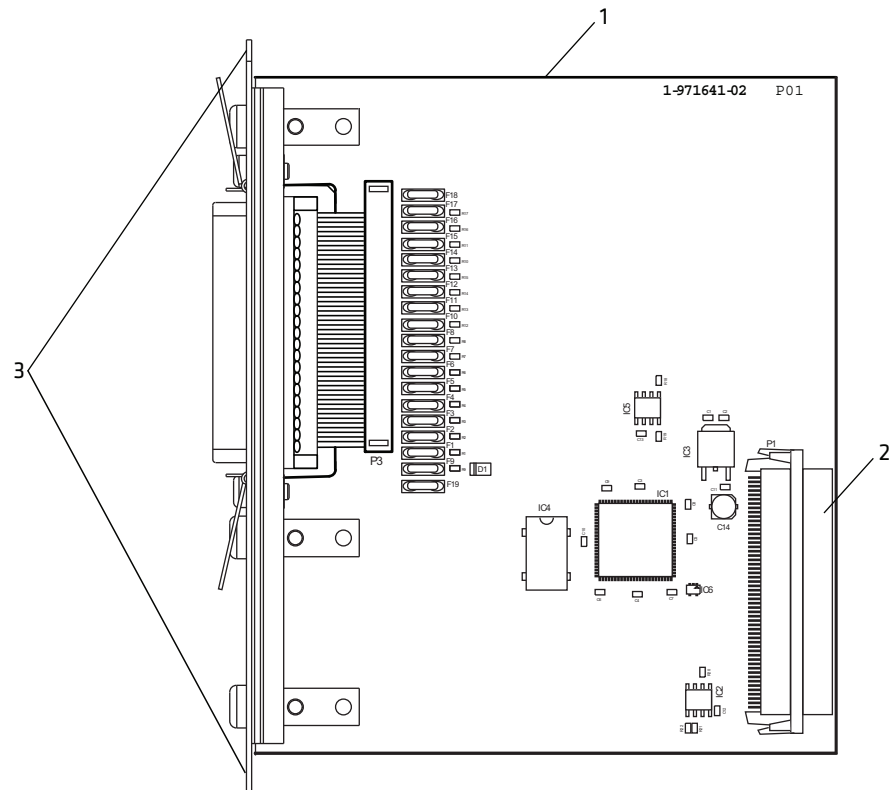
## Double Serial Interface Kit Spare Parts

Callout	Part Number	RoHS Part Number	Description	Notes
1	1-9716342-80		Double serial interface board kit	Complete kit fitted for 2 x RS-232
<b>Modification circuits for one port:</b>				
	1-956036-00	1-936036-000	RS-422 non-isolated	One circuit
	1-956038-01	1-956038-001	RS-422 isolated	One circuit
	1-925319-00		20 mA current loop	Two optocouplers
	1-956037-01	1-936007-001	RS-485	One circuit





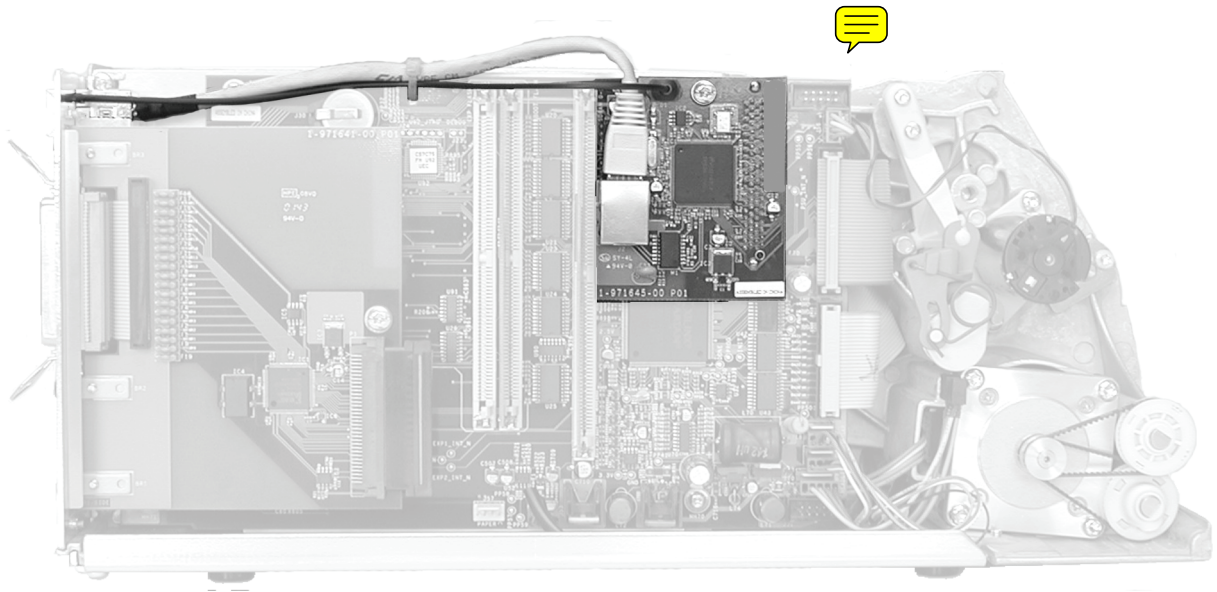
## IEEE 1284 Parallel Interface Kit (Option)



### IEEE 1284 Parallel Interface Kit Spare Parts

Callout	Part Number	RoHS Part Number	Description	Notes
1	1-971641-80	1-971641-800	IEEE 1284 parallel interface board kit	Complete kit
2	1-974010-012		Dual slot I/O bus cable, 120 mm	
3	1-994058-005		Screw, MRT 3x5 ZP	Used to secure all interface boards

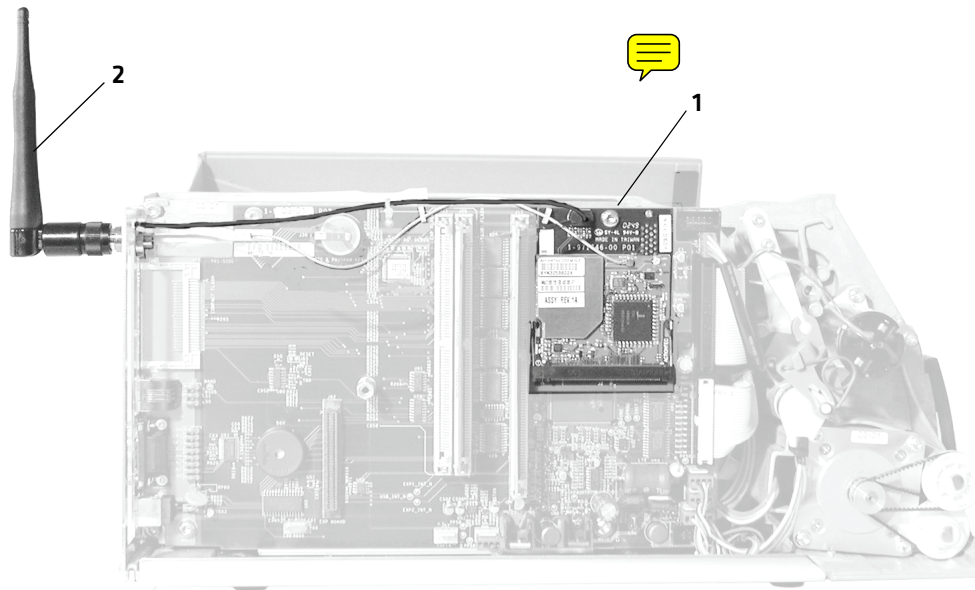
## EasyLAN Ethernet Interface Kit (Option)



### EasyLAN Ethernet Interface Kit Spare Parts

Callout	Part Number	RoHS Part Number	Description	Notes
1	1-974021-001		RJ45 extension cable, 234 mm	
2	1-971645-80	1-971145-800	EasyLAN ethernet interface kit	Complete kit includes CD-ROM and cable

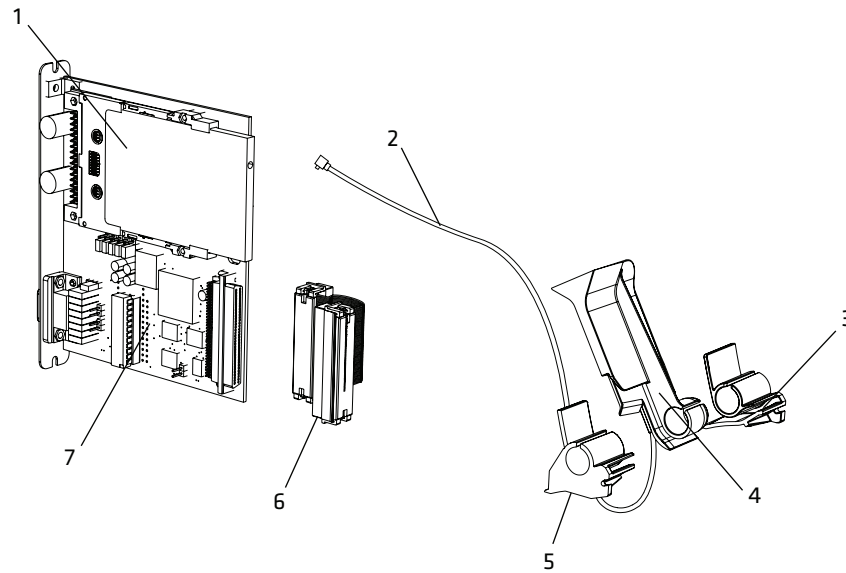
## EasyLAN Wireless Interface Kit (Option)



### EasyLAN Wireless Interface Kit Spare Parts

Callout	Part Number	Description	Notes
1	1-97646-80	EasyLAN wireless interface kit	Complete kit includes CD-ROM
2	066147-002	Antenna, TNC, 2.4 GHz, dipole, 248X	

## IM4 RFID Kit (Option)

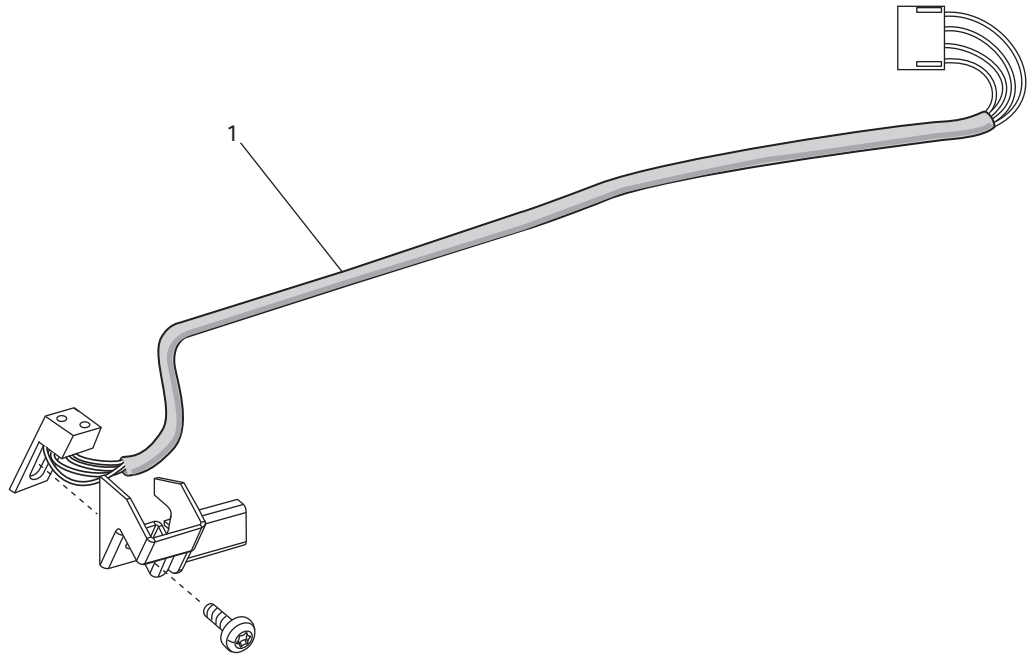


### IM4 RFID Kit Spare Parts

Callout	Part Number	Description	Notes
1	705-577-001	869 MHz RFID module	
	705-578-001	915 MHz RFID module	
2	1-974026-160	MMCX coax cable, straight-angled, 60 cm	Included with media assembly
3	1-207146-001	Outer guide	
4	1-207140-001	Media assembly	Includes media guide, antenna, and cable
	710-034-002	Paper guide RFID coupler assembly, HK offset	
	710-034-003	Paper guide RFID coupler assembly, standard	
5	1-207147-001	Inner guide	
6	1-974011-006	Single slot I/O bus cable	
7	1-971144-003	RFID interface board	
	1-995190-01	Spacer screw, DSS M4070	Not shown, but used between the RFID MLB and the printer MLB
	1-207022-001	869 MHz RFID label	Not shown
	1-207022-010	915 MHz RFID label	
	203-841-002	IM4 869 MHz printer option, RoHS	These kits include all necessary parts to install the RFID option in a printer.
	245-299-240	IM4 915 MHz printer, cc14 RoHS	
	245-333-001	920 MHz printer RFID, Hong Kong	



## Label Taken Sensor (Option)



### Label Taken Sensor Spare Parts

Callout	Part Number	RoHS Part Number	Description	Notes
1	1-975609-80	1-974009-900	Label taken sensor kit	Complete kit P/N 1-974009-900 contains the newer style retainer





Worldwide Headquarters  
6001 36th Avenue West  
Everett, Washington 98203  
U.S.A.

tel 425.348.2600

fax 425.355.9551

[www.intermec.com](http://www.intermec.com)

© 2011 Intermec Technologies  
Corporation. All rights reserved.

#### PF2i and PF4i Mid-Range Printer Spare Parts Catalog



P/N 940-001-002